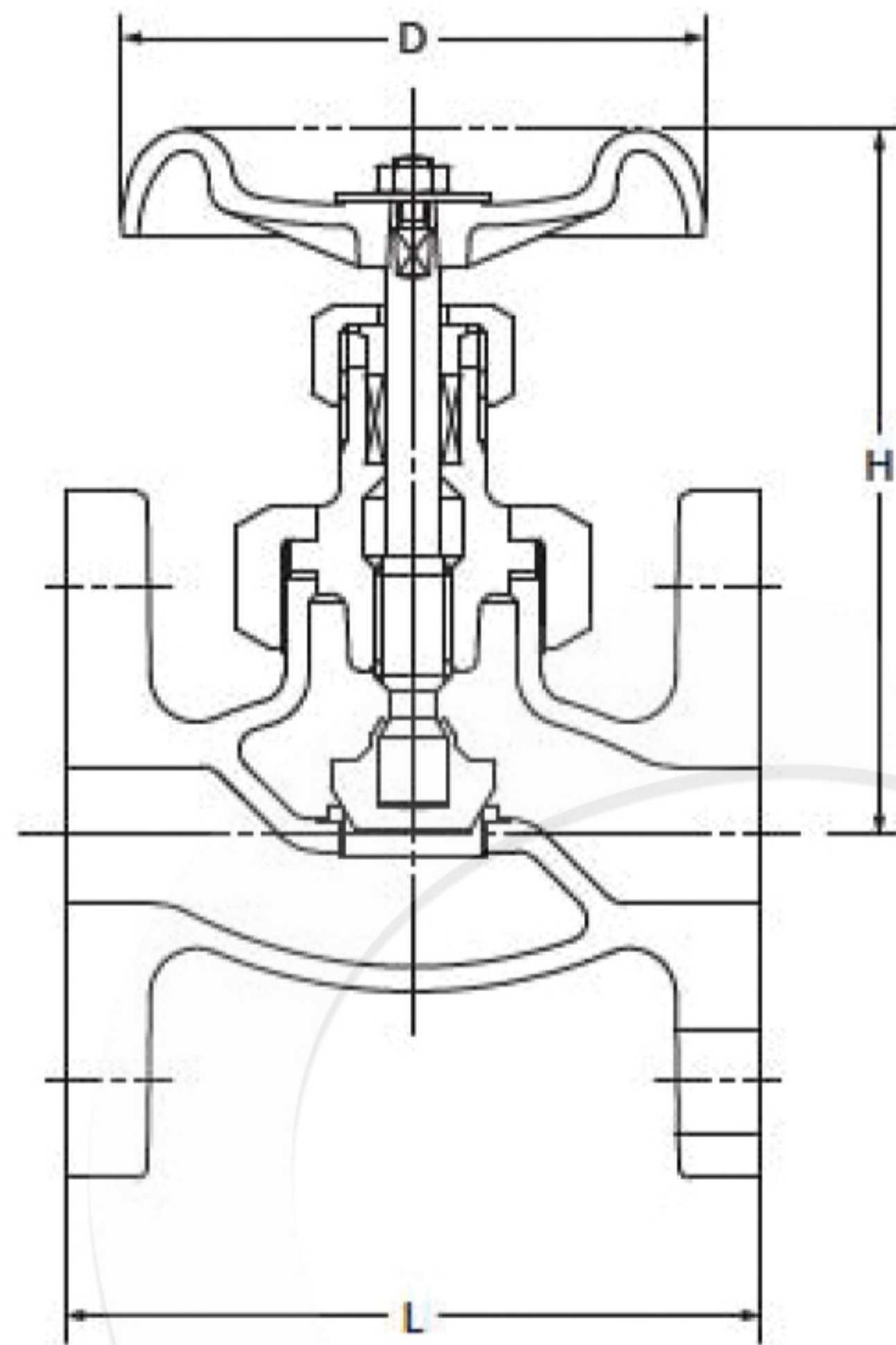


10K Globe Valve

10SPBF
U.B.I.S.
FF-flanged



Face to face : JIS B 2002 *
End connection : JIS B 2239 10K
* KITZ Std. for 10

120°C Static water.....1.4MPa
220°C Steam, air, gas, oil.....1.2MPa
300°C Steam, air, gas, oil.....1.0MPa

- Use for lubricating or hydraulic oil is acceptable. Contact KITZ Corporation for technical advice, if valves are used as heat transfer media.
- Employment of copper gasket prohibits use of this valve for ammonia or amine chemicals.

Materials

Parts	JIS material
Body	FCD-5
Bonnet	FCD-5
Stem	SUS420J2
Disc	SUS403
Body seat ring	SUS403
Gland	SUS403
Gland packing	Non-asbestos Packing
Handwheel	FCD450
Wheel nut	SS400
Bonnet ring	FCD-5
Gasket	C1100P-0
Name plate	A1050P

Dimensions

Size	mm							
	mm	10	15	20	25	32	40	50
	inch	³ / ₈	¹ / ₂	³ / ₄	1	1 ¹ / ₄	1 ¹ / ₂	2
L		108	108	117	127	140	165	203
H (open)		107	125	125	145	162	180	198
D		60	80	80	100	115	115	135

NOTE : For flange dimensions, refer to Page 44. ※RF-flanged ends shall be optionally available.